

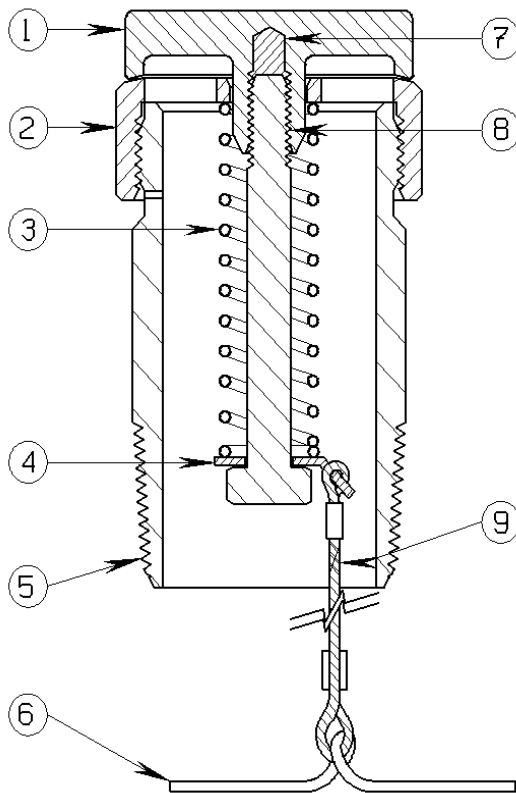
# Reservoir Vent/Fill Cap

VENT CAP ASSEMBLY, 1-1/2" MALE NPT  
WITH RESERVOIR RETAINER CABLE, 3-5/8" OAL  
Model 12RS6



The Sigma 316 stainless steel, pressure relieving Fill Cap prevents pressure accumulation within a Hydraulic Reservoir (Storage Tank). It will exhaust the gas before accumulation can occur, through the spring-loaded cover assembly.

Under normal conditions, the cover prevents rain, dust or other atmospheric contaminants from entering the Hydraulic Reservoir. The Cable and Bar assembly prevents loss of the Fill Cap during reservoir filling operations.



## PARTS LIST:

1. Vent Cap Top
2. Vent Cap Cover
3. Spring
4. Cable Washer
5. Pipe Nipple
6. Cross Bar
7. Teflon Plug
8. Hex Head Bolt
9. Cable