

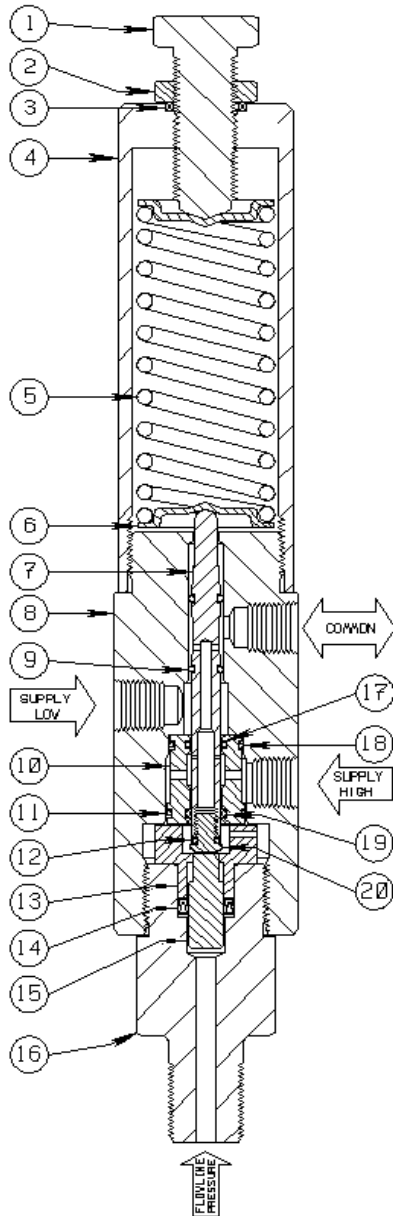
22US / 22UH Hi /Lo Pressure Sensors High Flow - Block & Bleed



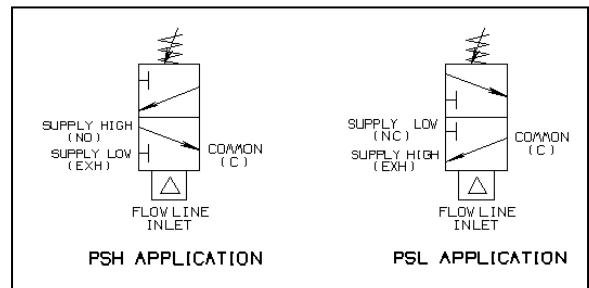
Conforms to the SEP category of the European Pressure Equipment Directive
Issue No. 97/23/EC

The 22US/22UH Pressure Sensors are two position, three-way block and bleed (universally ported) pressure monitoring Flow Line Pilots. The 22US/UH type can be used in low pressure pneumatic or hydraulic service because of the high flow capability. These can be connected to respond as either a High (rising/ increasing) or Low (falling/ decreasing) pressure sensing device. Generally used as a pair on a manifold bar, these provide Hi/Lo protection for flowlines and other pressure vessels.

Three way Block & Bleed Pilots are typically used to initiate safety valve closure and safeguard facilities upon detection of either an abnormal high or low process pressure.



22US38
shown at left



PARTS LIST:

- | | | |
|---------------------|---------------------|-------------------|
| 1. Adjusting Bolt | 8. Valve Body | 15. Piston Sensor |
| 2. Lock Nut | 9. O Ring (2) * | 16. Lower Body |
| 3. Seal Ring * | 10. Valve Spool | 17. Quad Ring * |
| 4. Spring Housing | 11. O Ring * | 18. O Ring * |
| 5. Spring | 12. O Ring * | 19. O Ring * |
| 6. Spring Guide (2) | 13. Packing Back Up | 20. SS Screw |
| 7. Valve Plunger | 14. U Cup Seal * | |

22US/22UH Pressure Sensors -High Flow

Pneumatic/Hydraulic Instrument Pressure Service

Product Specifications

Model Selection: 22US - Standard Service
22UH - NACE Service

Control Function: Three-Way (Block & Bleed; *block before bleed*);
High / Low (via alternate inlet connection ports)

Piston Sensor Size: See chart for available sizes

Spring Selection – Adjustment Range Capability: See spring chart for sensor size/spring capability

Control Ports Pressure: 150 PSI **Flow Line:** 6,000 PSI maximum (10,000 psi available on 3/16" sensor)

Seal Material: Viton and Graphite Filled Teflon (selected models)

Component Material : Body - 316SS
Internals - 316SS
Sensor Housing - 316SS
Sensor - 316SS

*Special materials for sensor and housing available upon request

Instrument Supply Media (Control Ports): Pneumatic, Hydraulic

Instrument Supply Media (Flow Line): Process Fluids, Natural Gas, Hydraulic or Pneumatic

Connection Size: 1/4-18 Female N.P.T. Control Ports, 1/2-14 Male N.P.T. Flow Line connection

Orifice: 3/32 Diameter **Cv Factor:** 0.29 **Weight:** 7 Lbs.

Operating Temperature: -0° F to +250° F **Overall Dimensions:** 12.0" Height x 2.0" Diameter

Pressure Equipment Directive (PED): This product conforms to the SEP Category of the European P.E.D.