

Product Data Sheet NEEDLE VALVES “NV” Series



The SigmaHLR ‘NV’ Series of Single Isolating Needle Valves have been specifically designed to provide exceptional product performance, durability and safety under extreme onshore and offshore applications. Self-aligning spindle tip provides bubble tight shut off and precision adjustable gland packing offers longevity of in service life and a serviceable product.

Manufactured in 316L stainless steel as standard and conforming to NACE MR-01-75 specification.

Key Features of “NV” Series.

- *Bonnet lock pin prevent accidental loosening.*
- *Hardened ball seat specifically designed to be suitable for gas & fluid applications.*
- *Fully adjustable stem packing is located below the stem threads for extend packing life, superior sealing and ease of maintenance.*
- *Male, Female or any combination of process port connections available.*
- *Complying to ‘NACE MR-01-75’ specification as standard*

Standard Specification.

- Pressure: up to 10,000 psi / 690 bar
- Temperature: Maximum 230 Deg C
- Thread Type: NPT
- Seat & Tip Material: Metal to Metal
- Bore size: 5mm
- Handle T Bar Type

General / Options.

- Size: 1/8” through to 2”
- Bore Sizes: 5mm & 10mm orifice options
- Process Connections: Female x Female, Male x Female & Male x Male available
- NPT, BSPP, BSPT, Socket Weld, Butt Weld and Flanged versions available
- Compression & OD Tube end connections available
- Handle Types: T bar or Anti-Tamper T Bar Option
- Gland Packing options: PTFE or Graphite
- Hexagonal bodied versions available



Ordering Code Example.

NV
SS
FF
25
6K
PMAT

↑
↑
↑
↑
↑
↑

Type.

NV = Needle Valve

Material.

SS = Stainless Steel – 316L (ASTM 479/479M 316L)
 DX = Duplex – 2205 (ATM 240 UNS32205/S31803)
 SD = Super Duplex (ASTM 240 UNS S32750 Super Duplex)
 6Mo = 6Mo (ASTM A-N276/A-484/A-479 Type 245-6Mo, UNS S31254)
 M4 = Monel 400 (ASTM B 164, UNS N04400)
 I625 = Inconel 625 (ASTM B446- UNS N06625)
 HC = Hastelloy C276 (ASTM B574 C276)

Connections.

FF = Female x Female FM = Female x Male
 MF = Male x Female MM = Male x Male
 CE = Compression ends TE = Tube end
 SW = Socket Weld

Size.

25 = 1/4" 375 = 3/8" 50 = 1/2" 75 = 3/4"
 1 = 1" 150 = 1.1/2" 200 = 2"

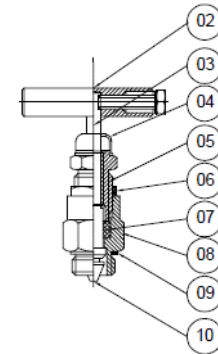
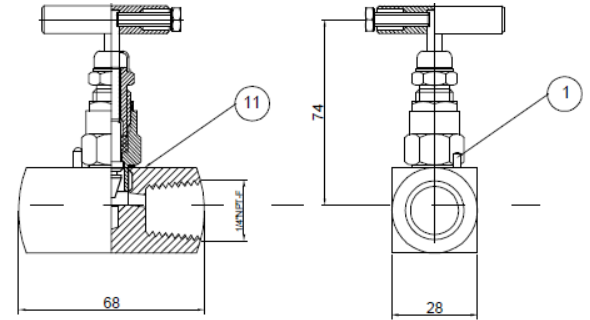
Pressure Rating.

6k = 6,000 psi
 10k = 10,000 psi

Connection & General Options.

BSPT = BSP Taper BSPP = BSP Parallel AT = Anti-Tamper T bar
 HW = Hand Wheel GP = Grafoil Packing HB = Hexagonal Body
 AP = Angle Pattern PM = Panel Mount BP = Bleed Plug

Control Function. On / Off Isolating



BILL OF MATERIALS TABLE			
NO.	DESCRIPTION	MATERIAL	QTY
1	LOCK PIN	304SS	1
2	HANDLE	304SS	1
3	SPINDLE	SS 316L	1
4	DUST CAP	PVC	1
5	GLAND RETAINER	SS 304	1
6	LOCK NUT	SS 304	1
7	GLAND PACKING	PTFE	2
8	BONNET	SS 316	1
9	BONNET WASHER	SS 316	1
10	TRIM	SS 316	1
11	BODY	SS 316	1

Valve Maintenance / Repair Kit.

Includes Items 1, 4, 5, 7 & 9

(To order simply place 'RK' in front of the valves part number.)



- ✓ SigmaHLR is ISO 9001:2015 certified for both manufacturing & design
- ✓ All products in Stainless Steel 316L from stock or on short lead times
- ✓ Each valve individually tested & serial numbered for complete peace of mind & total traceability
- ✓ Derivative, Hybrids and Specials available to order
- ✓ Exotics available in Duplex, Super Duplex, 6Mo, Hastelloy & Inconel



Note. The system designer, packager, installer and / or end user has the ultimate responsibility for correctly selecting products which are suitable for both their individual applications and project requirements thus ensuring safe and trouble-free installation, in service operation and maintenance / outages. Improper selection, installation and / or use of any products may lead to personal injury thus it is imperative that for each application the valves material of construction, pressure rating and process connections are considered and correctly selected.