

ESD VALVES

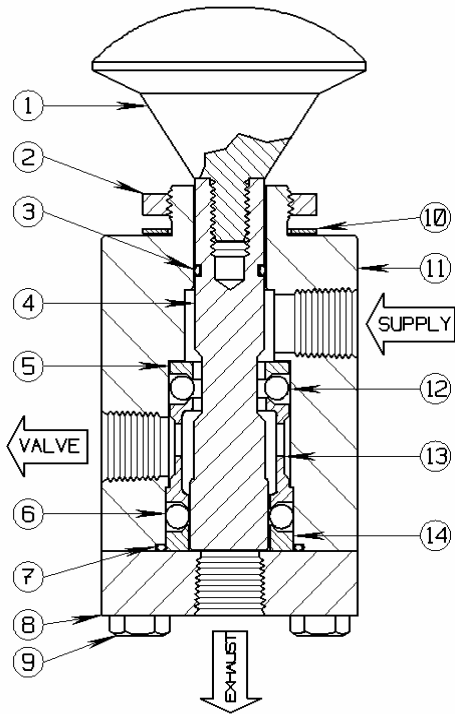
PNEUMATIC VALVES - 3-WAY NORMALLY OPEN

1/4" FEMALE NPT, 150 PSI MAX, PANEL MOUNT, RED KNOB

Model 16RS40

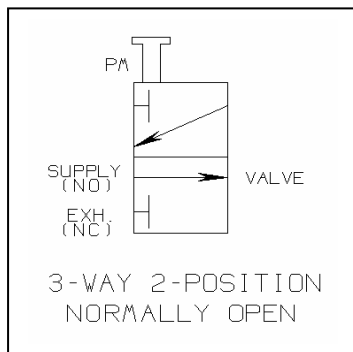


Conforms to the CE Category IV of the European Pressure Equipment Directive Issue Certificate No. 97/23/EC



The **16RS40** is a two position, three-way normally open, high flow capacity manually operated block and bleed ESD control valve. In the normal placement (handle pushed in), the valve has a flow path established between its ports labeled Supply and Valve. Pulling outward on the handle will block incoming supply pressure and establish a Valve-to-Exhaust flow path, rapidly depressurizing the ESD control circuit.

Three-way normally open, ESD Valves of this type are used in Emergency Shutdown (ESD) control circuits to immediately close SSV or SDV Actuators and Surface Controlled Sub-Surface Safety Valves. These controls are most commonly found in loop control circuits on many offshore platforms. They are normally installed or mounted on platform handrail ESD Stations.



PARTS LIST:

- | | |
|---------------|------------------|
| 1. Red Handle | 8. End Cover |
| 2. Panel Nut | 9. Hex Bolt * |
| 3. O Ring * | 10. Seal Ring * |
| 4. Plunger | 11. Valve Body * |
| 5. Bushing | 12. O Ring |
| 6. O Ring * | 13. Valve Spool |
| 7. O Ring * | 14. Bushing |

* Indicates parts included in a Repair Kit

Sigma Model Number 16RS40
1/4" FEMALE NPT, 150 PSI MAX, PANEL MOUNT, RED KNOB

Product Specifications

Flow Control Application: Normally Open – Pull to Actuate

Control Function: Three-Way (Block & Bleed)

Pressure Rating Body (Control Ports): 150 PSI maximum (10.34 bar)

Media Service: Pneumatic / Hydraulic

Connection Size (Body): 1/4-18 Female N.P.T. Supply, Valve and Exhaust

Orifice: 7/16 Diameter **Cv Factor:** 1.58

Component Material (Metal): 316 Stainless Steel

Seal Material: Viton

Panel Mount: Yes

Panel Hole Cutout Size Required: 1 Diameter

Weight: 3.5 Lbs.

Operating Temperature: -20° F to +250° F (-29° C to +121° C)

Overall Dimensions: 5-1/2 Height x 2 Diameter (13.97 cm Height x 5.08 cm Diameter)

Shelf Position Port Status

Supply Instrument supply pressure open to valve port

Valve Outlet pressure to receiving control circuit (closed to exhaust port)

Exhaust Depressurizes receiving control circuit upon actuation

Note:

The 16RS40 ESD Valve can be ordered with a Pipe Mountable ESD Sign which includes a 6 x 12 Red Background/Large Letter, Stainless Steel Sign with U-Bolts, ready for Handrail installation.

Repair Kit Information

Repair Kits contain all of the Seals and other components typically replaced when repairing the assembly. In order to maintain optimum operating control function, Sigma recommends changing the Repair Kit items once every two (2) years.