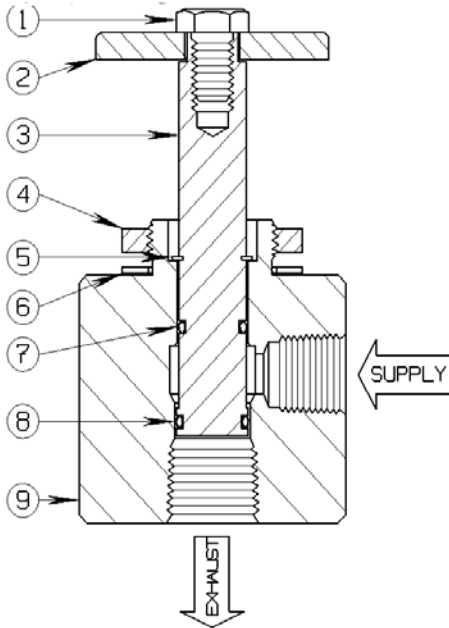


# ESD VALVES

## PNEUMATIC VALVES - 2-WAY NORMALLY CLOSED

1/4" FEMALE NPT, 150 PSI MAX, PANEL MOUNT, FLAT HANDLE, H2S SVC

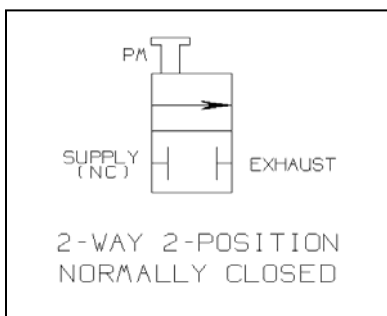
Model 16RS23, 16RS135 ARCTIC SERVICE



The **16RS23** is a two position, two-way normally closed, high flow capacity manually operated ESD control valve. In the shelf or normal placement, the valve has the Supply port blocked or isolated from the Exhaust port. Pulling outward on the ESD Valve's handle will establish a Supply-to-Exhaust flow path, rapidly depressurizing the ESD control circuit.

Two-way normally closed ESD Valves of this type are used in Emergency Shutdown (ESD) control circuits to immediately close SSV or SDV Actuators and Surface Controlled Sub-Surface Safety Valves. These controls are most commonly found in parallel ESD control circuits on many offshore platforms. They are normally installed on platform handrail ESD Stations near boat ramps and heliports.

Stainless steel construction virtually eliminates corrosion freeze-up, and Sigma valves are rugged enough to help prevent accidental activation of your safety system.



### PARTS LIST:

- |                    |                |
|--------------------|----------------|
| 1. Hex Head Bolt * | 6. Seal Ring * |
| 2. Washer Handle   | 7. O Ring *    |
| 3. Valve Plunger   | 8. O Ring *    |
| 4. Panel Nut       | 9. Valve Body  |
| 5. Snap Ring *     |                |

Black phenolic handles and custom engraved signs available upon request.

\* Indicates parts included in a Repair Kit

**Sigma Model Number 16RS23**  
**1/4" FEMALE NPT, 150 PSI MAX, PANEL MOUNT, WASHER HANDLE, H2S SVC**  
**(Panel Mount)**

---

**Product Specifications**

---

**Flow Control Application:** Normally Closed – Pull to Actuate

**Control Function:** Two-Way

**Pressure Rating Body (Control Ports):** 150 PSI maximum (10.34 bar)

**Media Service:** Pneumatic, Hydraulic

**Connection Size (Body):** 1/4-18 Female N.P.T. Supply, 3/8-18 Female NPT Exhaust

**Orifice:** 1/4 Diameter                      **Cv Factor:** 1.13

**Wetted Component Material (Metal):** 316 Stainless Steel

**Seal Material:** Viton

**Panel Mount:** Yes

**Panel Hole Cutout Size Required:** 1 Diameter

**Weight:** 1.4 Lbs.

**Operating Temperature:** -20° F to +250° F (-29° C to +121° C)

**Arctic Service Model:** -55° F to +250° F

**Overall Dimensions:** 3 Height x 2 Diameter (7.62 cm Height x 5.08 cm Diameter)

**Installation and Maintenance Instructions:**

Remove the Hex Bolt (#1), Handle (#2), and Panel Nut (#4). Insert in pre-drilled 1" diameter hole. Replace the Panel Nut, Handle, and Hex Bolt. Sigma recommends the use of appropriate thread sealant for each port connection.

**Shelf Position Port Status**

**Inlet**                      Instrument supply pressure normally closed

**Exhaust**                      Depressurizes instrument supply upon actuation

**Note:**

The 16RS23 ESD Valve can be ordered with a Pipe Mountable ESD Sign which includes a 6 x 12 Red Background/Large Letter, Stainless Steel Sign with U-Bolts, ready for Handrail installation.

**Repair Kit Information**

Repair Kits contain all of the Seals and other components typically replaced when repairing the assembly. In order to maintain optimum operating control function.