

Hydraulic Accumulator

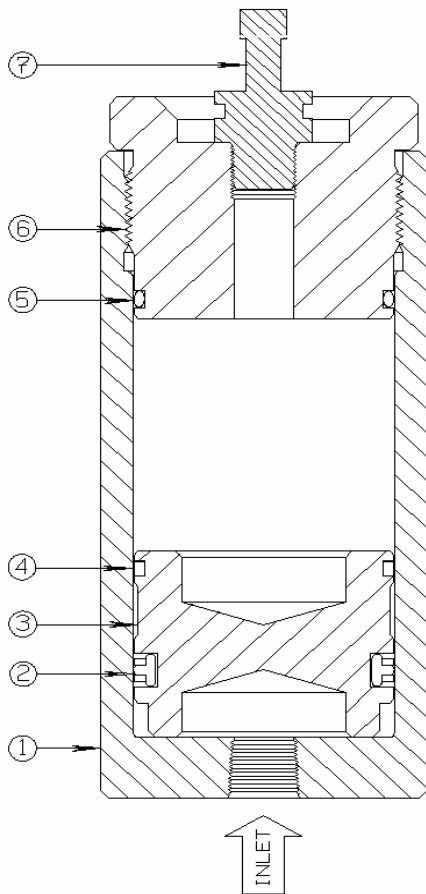
6 CUBIC INCH

1/4" FEMALE NPT CONNECTION, 6,000 PSI, 416 SS

Model 21HA10, Arctic Service Model 21HA21

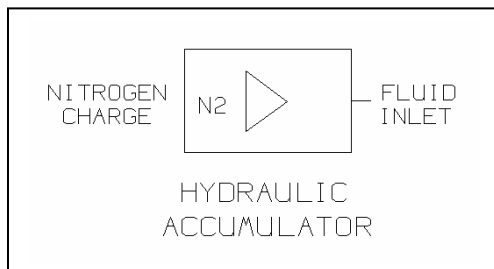


Conforms to the SEP category of the European Pressure Equipment Directive
Issue No. 97/23/EC



The **21HA10** Accumulator is a Nitrogen Charge System – Opposed Piston, pressurized hydraulic fluid storage, control assembly. It is specifically designed to store and release pressurized hydraulic fluid within a receiving control circuit. Hydraulic Fluid is incompressible, therefore volume reduction cannot provide stored energy. Nitrogen Gas is compressible and can store large amounts of energy. In our accumulator, compressed Nitrogen Gas is used to transfer its energy through movement of the opposed Piston. The Accumulator stores Hydraulic fluid until it is needed.

Hydraulic Well Control Safety Systems generally utilize Hydraulic Accumulators for all of the following: **Shock Suppressor** (Helps to absorb Hydraulic Pump output pressure spikes during demand fluctuations), **Cushion Peak Loads** (Absorbs excess flow when system demand is reduced, stores pressurized fluid until its required), **Thermal Expansion Buffer** ((Stores increased fluid volume during a high temperature change and provides output to compensate for reduced volume changes during low temperature), **Leak Compensator** (maintains an additional source of pressurized fluid to compensate for small volume, system leaks that could occur).



PARTS LIST:

- | | |
|-------------------------|-----------------|
| 1. Accumulator Cylinder | 5. O Ring * |
| 2. Tee Seal * | 6. End Retainer |
| 3. Aluminum Piston | 7. Charge Valve |
| 4. TFE Glide Ring * | |

* Indicates parts included in a Repair Kit

Sigma Model Number 21HA10
6 CUBIC INCH, 1/4" FEMALE HYDRAULIC CONNECTION, 6,000 PSI, 416SS

Product Specifications

Flow Control Application: Normally Open

Control Function: Auxiliary Pressurized Hydraulic Fluid Compensation Source
(Hydraulic Fluid System Shock Suppressor, Leak Compensator, Thermal Expansion Buffer)

Storage Capacity: 6 Cubic Inches

Pressure Rating: 6,000 PSI maximum (413 bar)

Seal Material: Viton

Nitrogen Charge System Connection: 1/2-20 (UNF-2A)
(Straight Threads with O-Ring & Metal To Metal Seal)

Connection Size (Hydraulic Fluid Inlet): 1/4-18 Female N.P.T.

Wetted Component Material (Metal): Low Alloy, 416 Stainless Steel

Pressure Equipment Directive (PED): This product conforms to the SEP Category of the European P.E.D.

Repair Kit Information

Repair Kits contain all of the Seals and other components typically replaced when repairing the assembly. In order to maintain optimum operating control function.