



*STAINLESS STEEL SPECIALTY VALVES*

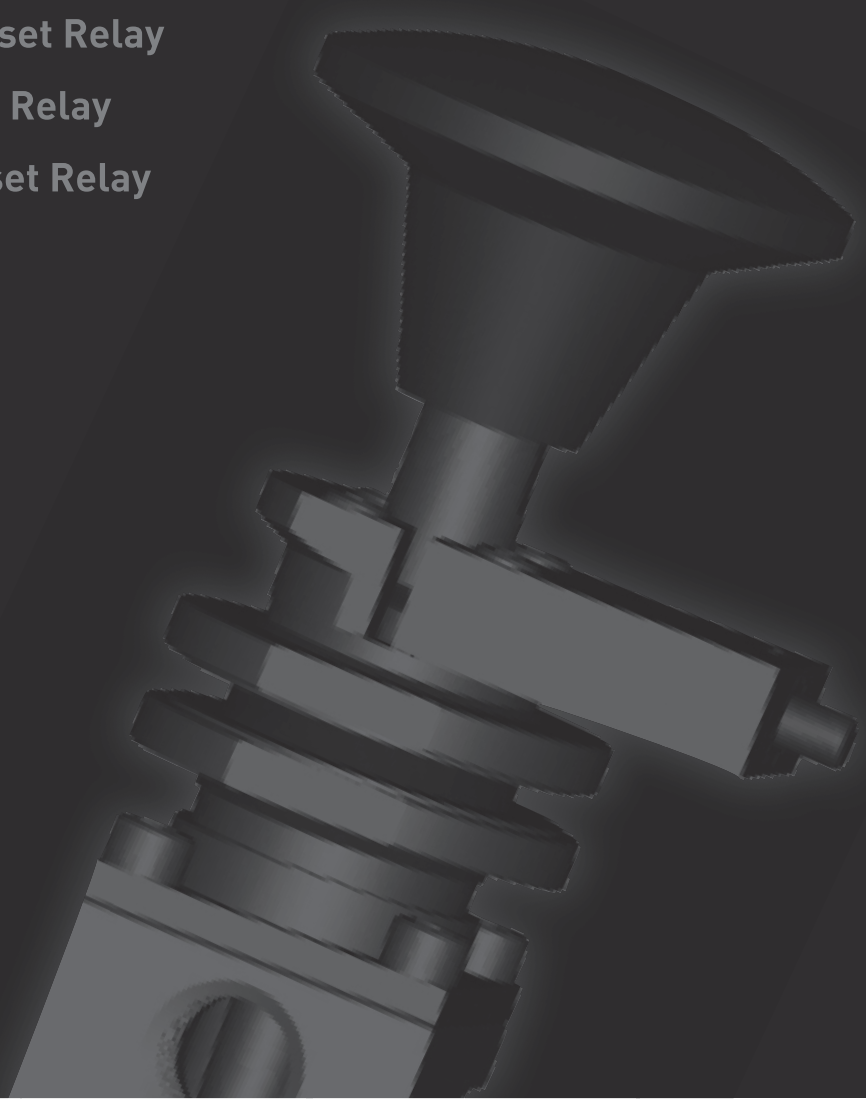
# S SERIES

Model 11SLV60 & 65 – Manual Reset Relay

Model 11SAL60 & 65 – Manual-Reset Relay

Model 11ALV60 & 65 – Auto-Reset Relay

Model 11SLI60 & 65 – Manual-Reset Relay



# MANUAL RESET MASTER VALVES

## General Specifications

The "S" Series Valves are two position, normally closed, block and bleed, manual reset relays. Supply inlet to outlet port flow is achieved with manual operation. A loss of Pilot Supply pressure will cause the valve to shift blocking inlet supply pressure and bleed outlet pressure to exhaust. For Manual Reset Valves, the valve will not automatically reset if Pilot Pressure is restored. For Auto Reset Valves, the valve will shift to the inlet open position upon restoration of pilot pressure supply. Valves with Latch Pin feature may be temporarily placed in the "in-service" position when no pilot supply pressure is present by pulling the handle out and pushing the latch pin in. Upon application of Pilot pressure, the latch pin will automatically disengage returning the valve to normal operating condition.

<b>Flow Control Application:</b>	Normally Closed 3-Way (Block & Bleed)	<b>Connection Size (Body):</b>	1/4" – Supply, Outlet, Exhaust 1/8" – FNPT – Pilot Port
<b>Operating Pressure:</b>	Valve Pressure 150 psi max. Pilot Pressure 150 max. Min. as per model	<b>Weight:</b>	2.25 Lbs.
<b>Seal Material:</b>	Viton	<b>Component Material:</b>	316 Stainless Steel
<b>Media Service:</b>	Pneumatic or Hydraulic	<b>Operating Temperature:</b>	-20° F to +250° F Standard -50° F to +250° F Arctic
		<b>Overall Dimensions:</b>	5.62" L x 1 1/4" Square body
		<b>Panel Mount Hole Dimensions:</b>	1.0" diameter

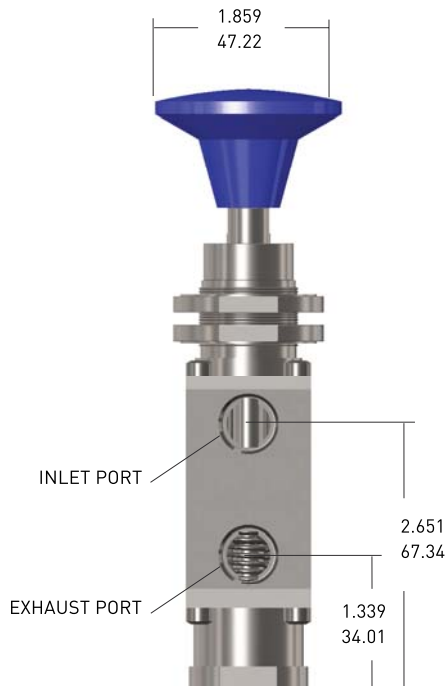
## Configurations

MODEL PREFIX	RESET TYPE AUTO (A) MANUAL (M)	LATCH PIN	PILOT LATCH	INDICATOR
11SLV	M	X	X	
11SAL	M		X	
11SAR	A			
11SLI	M	X	X	X
11ALV	A	X		
11ALI	A	X		X

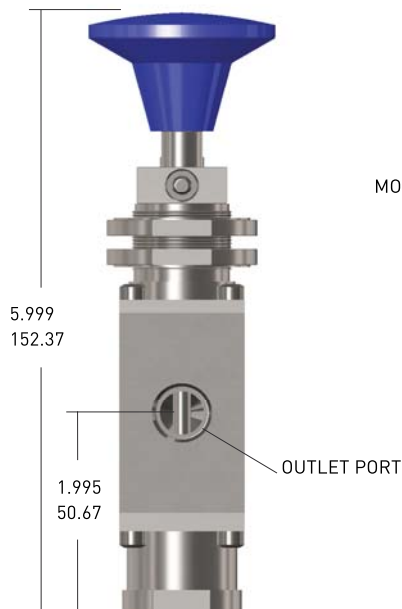
# MODEL 11SLV60

MANUAL RESET RELAY  
3-WAY NC, 1/4" NPT, 150 PSI MAX, W/ LATCH PIN

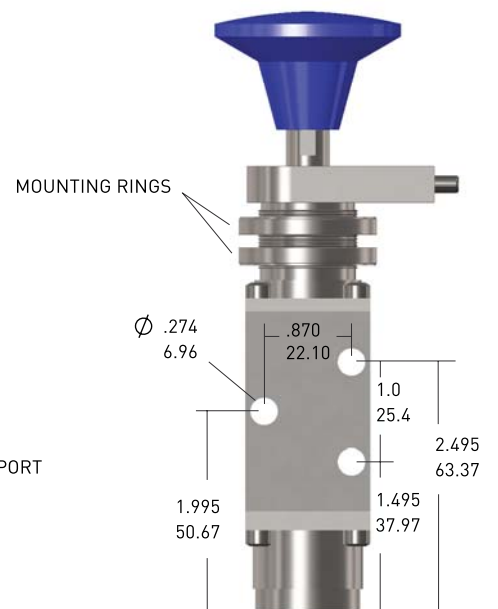
Exhaust port view



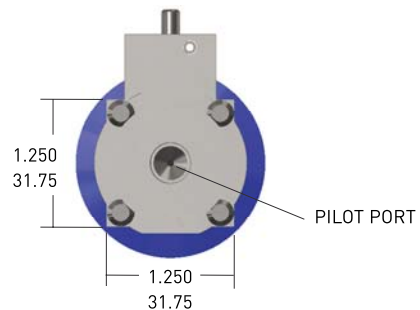
Outlet port view



Side view



Pilot view



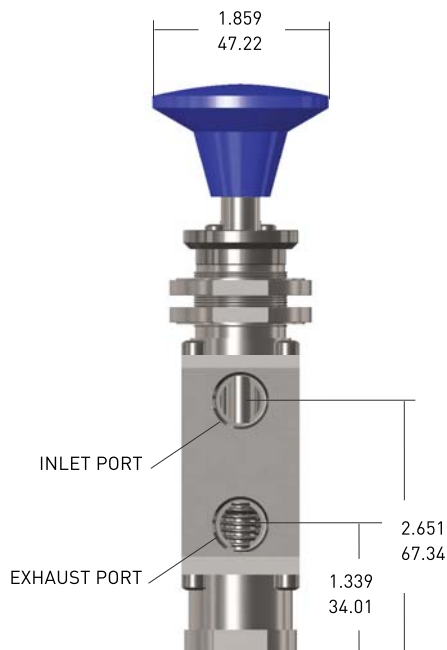
\* Dimensions: Inches  
Millimeters

# MODEL 11SAL60

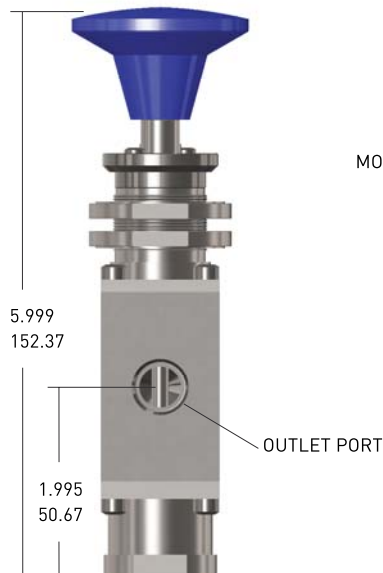
## MANUAL RESET RELAY

3-WAY NC, 1/4" NPT, 150 PSI MAX

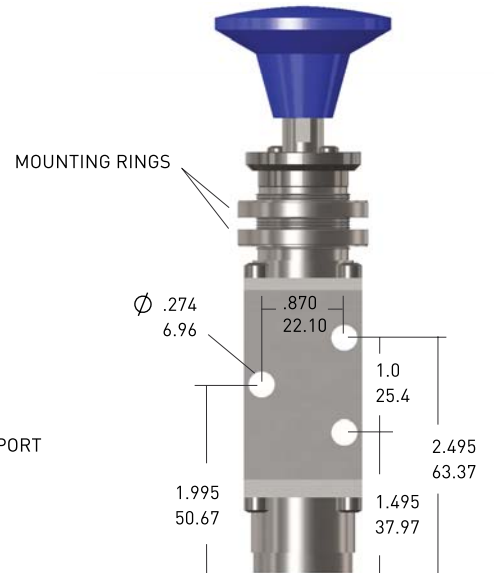
Exhaust port view



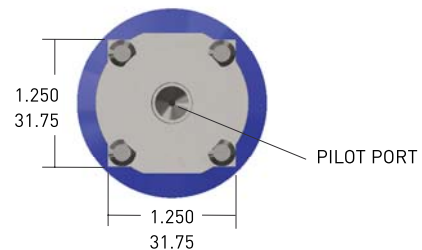
Outlet port view



Side view



Pilot view



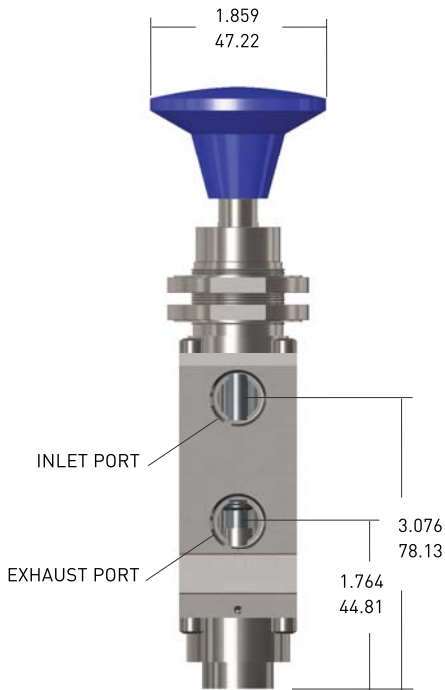
\* Dimensions: Inches  
 Millimeters

# MODEL 11ALV60

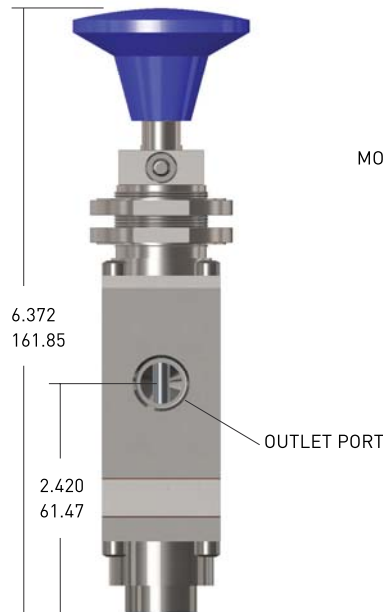
## AUTO RESET RELAY

3-WAY NC, 1/4" NPT, 150 PSI MAX, W/ LATCH PIN

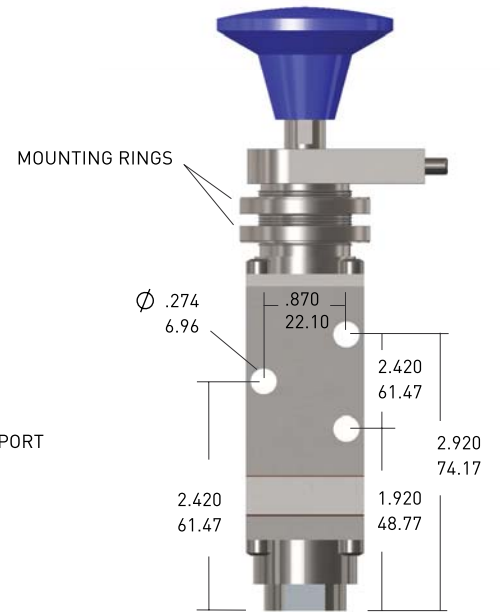
Exhaust port view



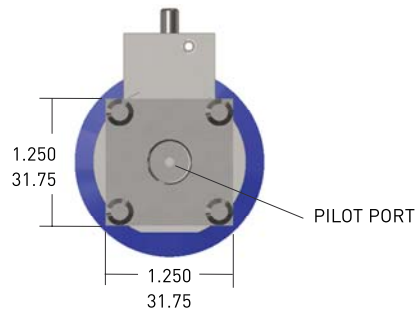
Outlet port view



Side view



Pilot view



\* Dimensions: Inches  
Millimeters

