

# Fusible Devices

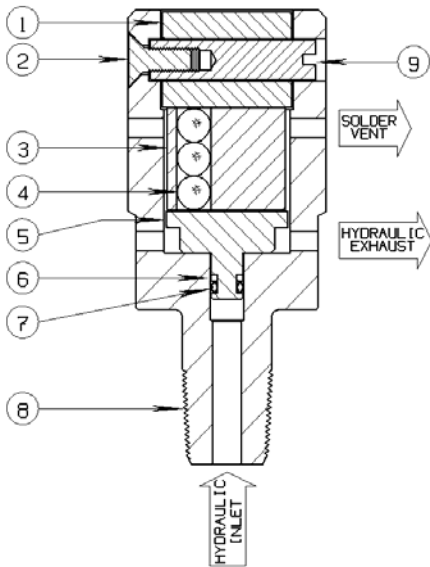
## Fusible Valves - 2-Way Bleed Only

1/2" MALE NPT, 2-WAY NC, 10,000 PSI MAX

Model 15RS150



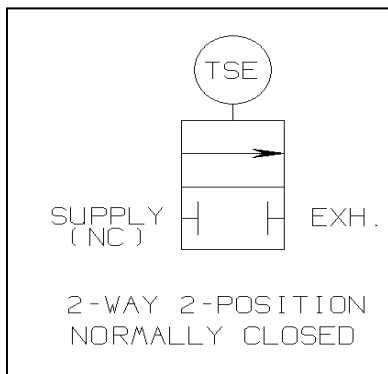
Conforms to the CE Category IV of the European Pressure Equipment Directive Issue Certificate No. 97/23/EC



Sigma 2-Way Fusible Valves are two position, two-way normally closed, **Temperature Sensitive** flow control device. Intense heat or close proximity to a fire will melt the solid Eutectic that maintains the valve's normally closed flow path. When the valve is subjected to heat that exceeds the actuation temperature, a Supply-to-Exhaust flow path will occur automatically.

Fusible Valves are used to shut-in or close safety system actuators to isolate potential fuel sources from fire.

Fusible Valves are available with four common temperatures: 158° F, 203° F, 255° F and 281° F. Other temperatures are available through special order inquiry.



### PARTS LIST:

- |                      |                     |
|----------------------|---------------------|
| 1. Fuse Retainer     | 6. Teflon Back Up * |
| 2. Flat Head Screw * | 7. O Ring *         |
| 3. Fusible Element * | 8. Valve Body       |
| 4. Ball (9) *        | 9. Retaining Pin    |
| 5. Piston Plunger    |                     |

\* Indicates parts included in a Repair

# Sigma Model Number 15RS150

## 1/2" MALE NPT, 2-WAY NC, 10,000 PSI MAX

---

### Product Specifications

---

**Flow Control Application:** Normally Closed

**Control Function:** Two-Way - Stacked Ball

**Pressure Rating Body (Control Ports):** 10,000 PSI maximum (690 bar)

**Media Service:** Hydraulic Fluid

**Temperature Service (Select):** \_\_\_\_ 158° F. \_\_\_\_ 203° F. \_\_\_\_ 255° F. \_\_\_\_ 281° F.

**Note:** Other specific temperature options available through special order.

**Connection Size (Body):**  
15RS150 1/2-14 Male N.P.T. Inlet, exhaust to atmosphere  
15RS141 3/8-18 Male N.P.T. Inlet, exhaust to atmosphere  
15RS146 1/4-18 Male N.P.T. Inlet, exhaust to atmosphere

**Orifice:** 1/4 Diameter

**Cv Factor:** 1.45

**Wetted Component Material (Metal):** 316 Stainless Steel

**Seal Material:** Viton

**Mounting:** Field Mount (Standard)

**Weight:** 1 Lb.

**Operating Temperature:** -20° F to +250° F (-29° C to +121° C)

**Overall Dimensions:** 3-3/8 Height x 1-1/2 Diameter (8.57 cm Height x 3.81 cm Diameter)

#### **Installation and Maintenance Instructions:**

If the temperature in the area of the valve exceeds the rated temperature, the valve will open and the control system will trigger an exhaust of the hydraulic fluid from the actuator through the exhaust port. Sigma recommends the use of appropriate thread sealant for each port connection.

#### **Shelf Position Port Status**

**Inlet** Instrument supply pressure normally closed

**Exhaust** Depressurizes instrument supply upon actuation

#### **Repair Kit Information**

Repair Kits contain all of the Seals and other components typically replaced when repairing the assembly. In order to maintain optimum operating control function.